

JUMO FOODtemp Insertion thermocouples

- for temperatures from -100 to +260°C
- steam-tight and pressure-proof
- high mechanical strength
- for use in the food industry
- with several measurement points

Thanks to their special construction, the rugged steam-tight insertion thermocouples are particularly suitable for cooking and baking processes in all areas of food processing and preservation. Other applications are autoclaves and sterilizers.

The stainless steel probe tube is available with concentric point or oblique tip (approx. 25° or 45°).

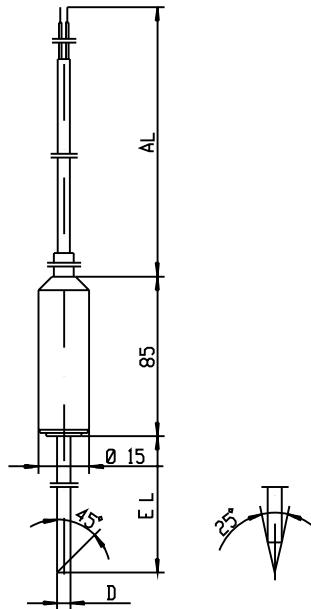
All versions are highly resistant to shock and vibration. The handles are resistant to oil and acid.

The measuring insert is fitted with thermocouples NiCr-Ni to EN 60 584, Class 2.



Technical data

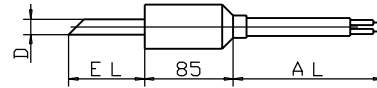
Connection	cable ends available as: bare wires, with ferrules, receptacles or multipole connector
Compensating cable	Teflon, ambient temperature -50 to +260°C
Handle	Teflon handle, ambient temperature +260°C max.
Protection tube	stainless steel 1.4571, 4mm and 4.5mm dia.
Protection tube end	concentric, angled at approx. 25° oblique, angled at 45°
Measuring insert	3 x NiCr-Ni K, EN 60 584, Cl. 2, operating temperature -50 to + 260°C 4 x NiCr-Ni K, EN 60 584, Cl. 2, operating temperature -50 to + 260°C 5 x NiCr-Ni K, EN 60 584, Cl. 2, operating temperature -50 to + 260°C
Protection	IP67

Dimensions**Type 901305/63**

Order details: Insertion thermocouples

(1) Basic version

901305/63 Insertion thermocouple with several measurement points
Teflon handle 15mm dia. and Teflon cable



		(2) Operating temperature in °C
x	261	-100 to +260°C
		(3) Measuring insert (arranged over fitting length)
x	3043	3 x NiCr-Ni K
x	4043	4 x NiCr-Ni K
x	5043	5 x NiCr-Ni K (only in conjunction with protection tube dia. D 4.5mm)
		(4) Protection tube diameter D in mm
x	4	4mm
x	4.5	4.5mm
		(5) Fitting length EL in mm
x	100	100mm
x	150	150mm
x	200	200mm
		(6) Insertion tip
x	2	concentric, angled at 25°
x	3	oblique, angled at 45°
		(7) Compensating cable end
x	03	bare cable ends
x	11	ferrules to DIN 46 228 Part 4 (standard)
x	13	receptacle 6.3 to DIN 46 247
x	80	multipole connector (please specify type in plain text)
		(8) Compensating cable length AL in mm
x	4000	4000mm (standard)
x	...	please specify in plain text (500mm steps)

Order code	(1)	(2)	(3)	(4)	(5)	(6)	(7)	(8)
Order example	901305/63	- 261	- 3043	- 4	- 100	- 2	- 03	- 4000