

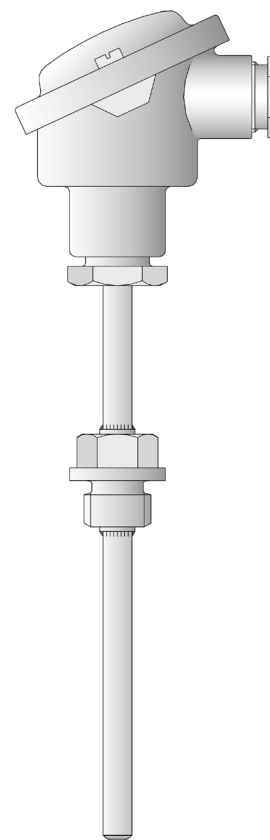
Screw-in resistance thermometers with terminal head Form B

- for temperatures from -50 to +600°C
- with replaceable measuring insert
- as single or twin resistance thermometer
- terminal head Form B, BUZ, BUZH, BBK
- available with transmitter

Screw-in resistance thermometers are preferred for measuring temperatures in liquids and gases. An important selection criterion is their reliable sealing against both negative and positive pressures. Applications include HVAC and refrigeration, as well as heating installations, ovens, furnaces and plant engineering.

The terminal head is suitable for temperatures up to +100°C. Terminal heads Form BUZ, BUZH and BBK are available in addition to the standard Form B.

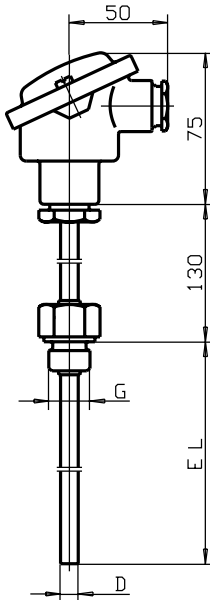
The measuring insert is normally fitted with a Pt100 temperature sensor to EN 60 751, Class B in 2-wire circuit. Versions with Pt500 or Pt1000 are also available. 3-wire or 4-wire circuit connections can be provided. Optionally, it is possible to integrate a transmitter into the terminal head.



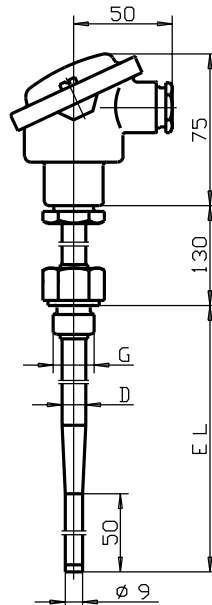
Technical data

Terminal head	Form B DIN 43 729, aluminium die-casting, Pg16, IP54, ambient temperature -20 to +100°C Form BUZ, aluminium die-casting, Pg16, IP65, ambient temperature -20 to +100°C Form BUZH, aluminium die-casting, Pg16, IP65, ambient temperature -20 to +100°C Form BBK, plastic, Pg16, IP54, ambient temperature -20 to +130°C Caution: reduced ambient temperature when using transmitters (see Data Sheets 95.6045/95.6550)
Extension tube	stainless steel 1.4571, length 130mm (150mm for Type 902002/50.../51...)
Process connection	thread, stainless steel 1.4571 pocket, stainless steel 1.4571 or steel 1.7335
Protection tube	stainless steel 1.4571, 9mm, 11mm and 12mm dia.
Measuring insert	replaceable, Pt100 temperature sensor EN 60 751, Cl. B, 2-wire circuit
Response times	$t_{0.9}$ approx. 5sec, in water 0.2 m/sec, 9mm dia.
Transmitter	analog transmitter Type 956045, see Data Sheet 95.6045 programmable transmitter Type 956550, see Data Sheet 95.6550
Accessories	pocket, see Data Sheet 90.9721

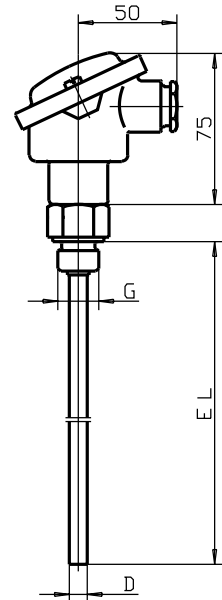
Dimensions



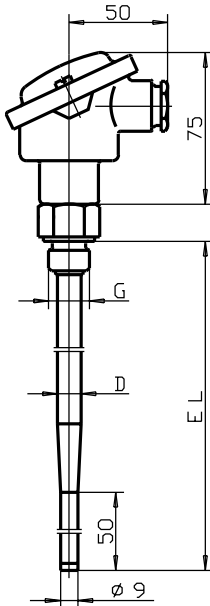
Type 902002/10



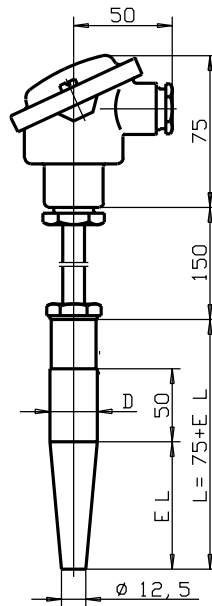
Type 902002/11



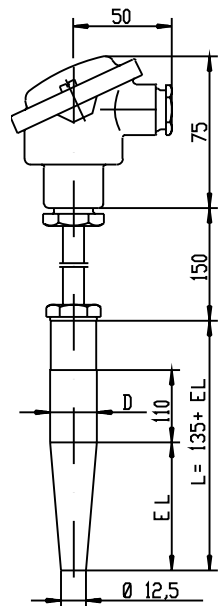
Type 902002/20



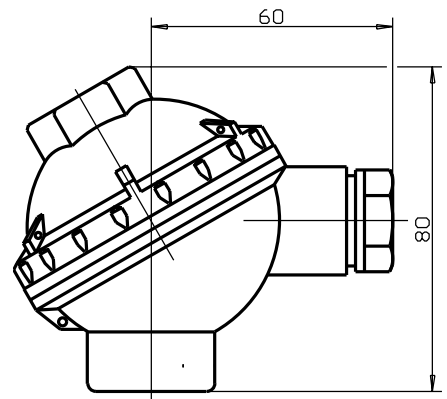
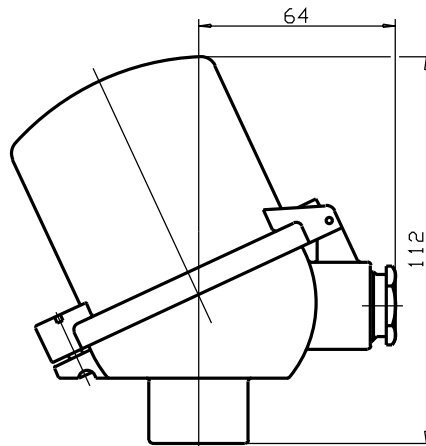
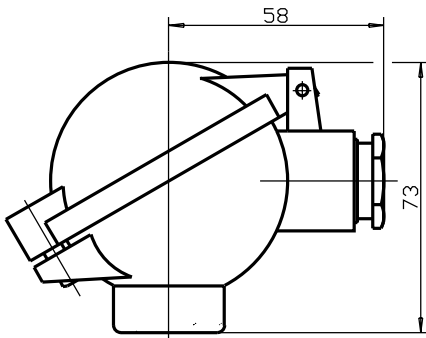
Type 902002/21



Type 902002/50



Type 902002/51

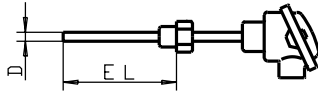
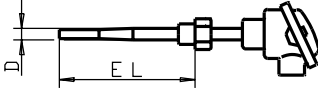
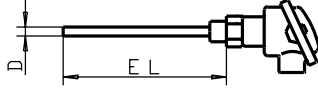
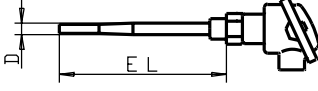


Terminal head Form BUZ TZ 320

Terminal head Form BUZH TZ 321

Terminal head Form BBK TZ 322

Order details: Screw-in resistance thermometers with terminal head Form B

(1) Basic version			
	902002/10	Screw-in resistance thermometer with extension tube, continuous protection tube	
	902002/11	Screw-in resistance thermometer with extension tube, stepped protection tube	
	902002/20	Screw-in resistance thermometer without extension tube, continuous protection tube	
	902002/21	Screw-in resistance thermometer without extension tube, stepped protection tube	
	(2) Operating temperature in °C		
x	x	x	x
	402	-50 to +400°C (standard)	
x	x	x	x
	415	-50 to +600°C	
	(3) Measuring insert		
x	x	x	x
	1001	1 x Pt100 in 3-wire circuit	
x	x	x	x
	1003	1 x Pt100 in 2-wire circuit	
x	x	x	x
	1011	1 x Pt100 in 4-wire circuit	
x	x	x	x
	2001	2 x Pt100 in 3-wire circuit	
x	x	x	x
	2003	2 x Pt100 in 2-wire circuit	
	(4) Tolerance class to EN 60 751		
x	x	x	x
	1	Class B (standard)	
x	x	x	x
	2	Class A	
	(5) Protection tube diameter D in mm		
x	x	x	x
	9	9mm	
x	x	x	x
	11	11mm	
x	x	x	x
	12	12mm stepped down to 9mm	
	(6) Fitting length EL in mm (100 ≤ EL ≤ 1000, EL ≤ 700 for Types 902002/11, 902002/21)		
x	x	x	x
	160	160mm	
x	x	x	x
	220	220mm	
x	x	x	x
	250	250mm	
x	x	x	x
	280	280mm	
x	x	x	x
	400	400mm	
x	x	x	x
	...	please specify in plain text (50mm steps)	
	(7) Process connection		
x	x	x	x
	104	thread 1/2" pipe	
x	x	x	x
	105	thread 3/4" pipe	
x	x	x	x
	106	thread 1" pipe	
x	x	x	x
	126	thread M 18 x 1.5	
	(8) Extra codes		
x	x	x	x
	000	no extra code	
x	x	x	x
	306	extension tube 70mm	
x	x	x	x
	320	terminal head Form BUZ	
x	x	x	x
	321	terminal head Form BUZH	
x	x	x	x
	322	terminal head Form BBK	
x	x	x	x
	330	1 x analog transmitter Type 956045 (please specify range in plain text)	
x	x	x	x
	331	1 x programmable transmitter Type 956550 (please specify range in plain text)	
x	x	x	x
	334	2 x analog transmitter Type 956045 (please specify range in plain text)	
x	x	x	x
	335	2 x programmable transmitter Type 956550 (please specify range in plain text)	

Order code (1) - (2) - (3) - (4) - (5) - (6) - (7) / (8)

Order example 902002/10 - 402 - 1001 - 1 - 11 - 250 - 106 / 000¹

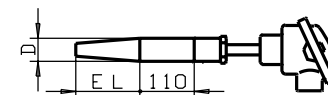
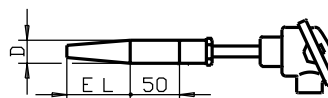
1. List extra codes in sequence, separated by commas.

Order details: Screw-in resistance thermometers with terminal head Form B

(1) Basic version

902002/50 Screw-in resistance thermometer with pocket DIN 43 767 Form D1/D2

902002/51 Screw-in resistance thermometer with pocket DIN 43 767 Form D4/D5



(2) Operating temperature in °C (for restrictions see DIN 43 763)

- x x 402 -50 to +400°C (standard)
- x x 415 -50 to +600°C

(3) Measuring insert

- x x 1001 1 x Pt100 in 3-wire circuit
- x x 1003 1 x Pt100 in 2-wire circuit
- x x 1011 1 x Pt100 in 4-wire circuit
- x x 2001 2 x Pt100 in 3-wire circuit
- x x 2003 2 x Pt100 in 2-wire circuit

(4) Tolerance class to EN 60 751

- x x 1 Class B (standard)
- x x 2 Class A

(5) Pocket diameter D in mm

- x x 24 24 mm dia. stepped down to 12.5mm

(6) Fitting length EL in mm

- x x 65 65mm with Form D 1 / D 4
- x x 125 125mm with Form D2 / D5

(7) Pocket material

- x x 26 stainless steel X 6 CrNiMoTi 17 12 2, 1.4571 (operating temperature +600°C)
- x x 36 steel 13 CrMo 44, 1.7335 (operating temperature +540°C)

(8) Extra codes

- x x 000 no extra code
- x x 306 extension tube 70mm
- x x 320 terminal head Form BUZ
- x x 321 terminal head Form BUZH
- x x 322 terminal head Form BBK
- x x 330 1 x analog transmitter Type 956045 (please specify range in plain text)
- x x 331 1 x programmable transmitter Type 956550 (please specify range in plain text)
- x x 334 2 x analog transmitter Type 956045 (please specify range in plain text)
- x x 335 2 x programmable transmitter Type 956550 (please specify range in plain text)

Order code (1) (2) (3) (4) (5) (6) (7) (8) ,...

Order example 902002/50 - 402 - 1001 - 1 - 24 - 65 - 26 / 000¹

1. List extra codes in sequence, separated by commas.

Note: Analog transmitter, see Data Sheet 95.6045
 Programmable transmitter, see Data Sheet 95.6550

Stock versions:

(1)	(2)	(3)	(4)	(5)	(6)	(7)	(8)	Sales No.
902002/10	- 402	- 1003	- 1	- 9	- 160	- 104	/ 000	90/00055562
902002/10	- 402	- 1003	- 1	- 9	- 250	- 104	/ 000	90/00055563
902002/10	- 402	- 1003	- 1	- 9	- 400	- 104	/ 000	90/00055564
902002/10	- 402	- 2003	- 1	- 9	- 160	- 104	/ 000	90/00055565
902002/10	- 402	- 2003	- 1	- 9	- 250	- 104	/ 000	90/00055566
902002/10	- 402	- 2003	- 1	- 9	- 400	- 104	/ 000	90/00055567
902002/10	- 402	- 1001	- 1	- 9	- 160	- 104	/ 330(0 to 100°C)	90/00054616
902002/10	- 402	- 1001	- 1	- 9	- 160	- 104	/ 330(0 to 200°C)	90/00087522
902002/10	- 402	- 1001	- 1	- 9	- 160	- 104	/ 330(0 to 400°C)	90/00087524
902002/10	- 402	- 1001	- 1	- 9	- 250	- 104	/ 330(0 to 100°C)	90/00054617
902002/10	- 402	- 1001	- 1	- 9	- 250	- 104	/ 330(0 to 200°C)	90/00087527
902002/10	- 402	- 1001	- 1	- 9	- 160	- 104	/ 331(0 to 100°C)	90/00335108
902002/10	- 402	- 1001	- 1	- 9	- 250	- 104	/ 331(0 to 100°C)	90/00335109
902002/10	- 402	- 1001	- 1	- 9	- 400	- 104	/ 331(0 to 100°C)	90/00335111